

GET-70FN Latch With Indicator

Features

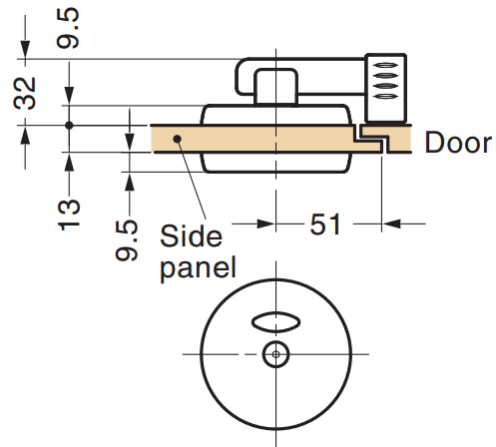
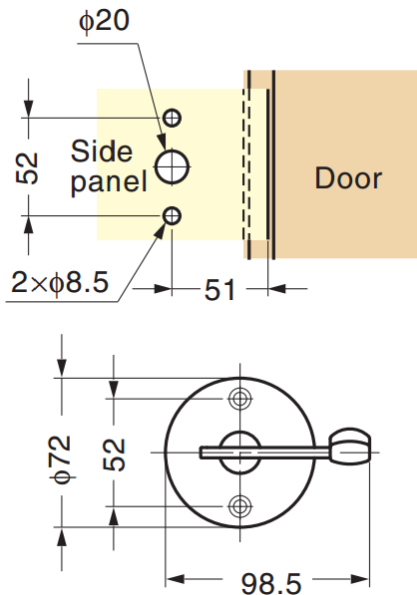
- For inward opening and 13, 16, 20 mm thick door and side panel
- Flat door application

Notes

- Optional spacer to enable usage on 13 mm door or 16 / 20 mm side panel

Parts Included

- Hex key



Screw and Spacer Recommended

Door Thickness	Inward Opening						Outward Opening					
	13			16			13			16		
Side Board Thickness	13	16	20	13	16	20	13	16	20	13	16	20
Hexagon Top Bolt (2 pcs)	M5x25	M5x25	M5x30	M5x25	M5x25	M5x30	M5x25	M5x25	M5x30	M5x25	M5x25	M5x30
GET-7 Spacer (Optional)	0	0	0	0	0	0	0	0	1	0	0	0
GET-3 Spacer (Optional)	0	0	0	1	0	0	0	1	0	0	0	1

Body

Part No.	Door / Panel Thickness	Material	Finish
GET-70FN	13, 16, 20	Stainless Steel 304	Satin

Spacer (Sold Separately)

Part No.	Material	Colour	Thickness
GET-3	ABS	Black	3
GET-7			7